



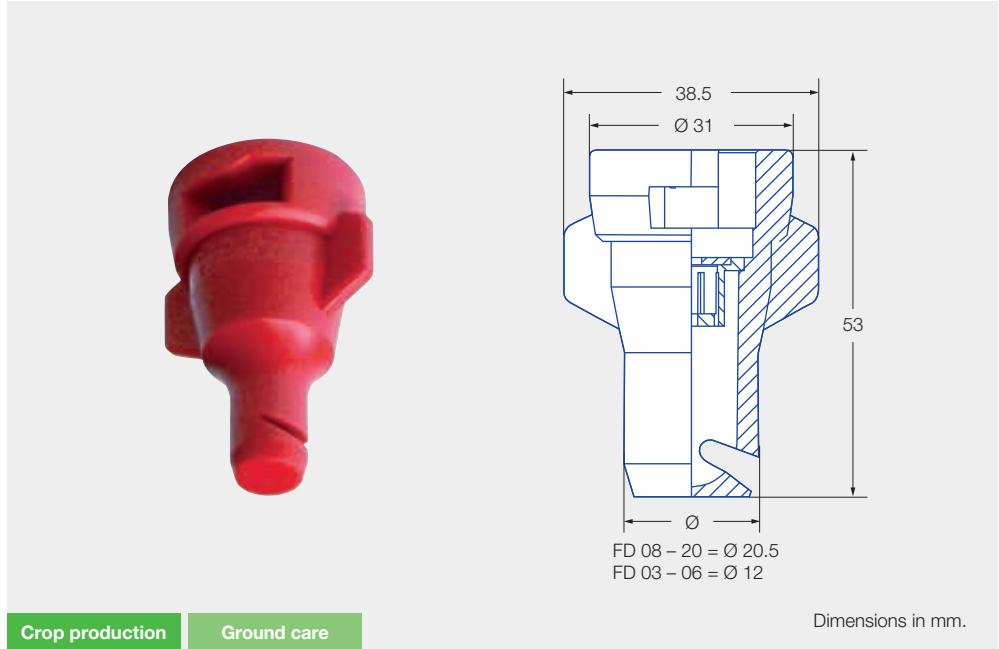
# Liquid fertilizer nozzles FD

**PATENTED**

Flat spray nozzle with horizontal spray pattern for uniform cross-distribution.

### Advantages

- Gentle liquid fertilizer application thanks to extremely low spray impact
- Minimum risk of crop scorching due to extremely coarse-droplet application
- No streaking due to optimum cross-distribution
- Nozzle in cap for standard bayonet connection system MULTIJET (incl. gasket)
- Nozzle sizes ISO color-coded



**Nozzle size**  
02 – 20



**Spray angle**  
130°



**Material**  
POM



**Pressure range**  
1.5 – 4 bar



**Recommended filters**  
60 M FD 02 – 04  
25 M FD 05 – 20



**Droplet size**  
Ultra coarse



**Boom height**  
50 – 70 cm

### Application areas



Liquid fertilizer



Greenhouse

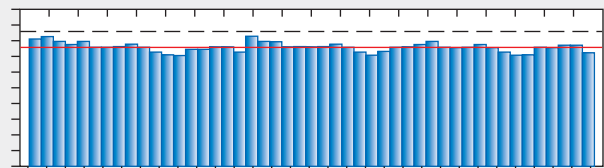


Golf course

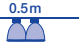


Toolless removable dosing orifice

**FD-04 Cross distribution on patternator (with water)**  
Spray pressure: 2 bar – spray height: 600 mm – CV: 3.4%



# Spray table for liquid fertilizer nozzles FD

Nozzle Type	l/min		UAN l/ha 									
	Water	UAN	5.0 km/h	6.0 km/h	7.0 km/h	8.0 km/h	10.0 km/h	12.0 km/h	14.0 km/h	16.0 km/h	18.0 km/h	
<b>FD 02</b> (60 M)	1.5	0.57	0.50	121	101	86	76	60	50	43	38	34
	2.0	0.65	0.57	138	115	98	86	69	57	49	43	38
	3.0	0.80	0.71	170	141	121	106	85	71	61	53	47
	4.0	0.92	0.81	195	163	139	122	98	81	70	61	54
<b>FD 03</b> (60 M)	1.5	0.85	0.75	180	150	129	113	90	75	64	56	50
	2.0	0.98	0.87	208	173	148	130	104	87	74	65	58
	3.0	1.20	1.06	255	212	182	159	127	106	91	80	71
	4.0	1.39	1.23	295	246	211	184	147	123	105	92	82
<b>FD 04</b> (60 M)	1.5	1.13	1.00	240	200	171	150	120	100	86	75	67
	2.0	1.31	1.16	278	232	198	174	139	116	99	87	77
	3.0	1.60	1.41	339	283	242	212	170	141	121	106	94
	4.0	1.85	1.64	392	327	280	245	196	164	140	123	109
<b>FD 05</b> (25 M)	1.5	1.41	1.25	299	249	214	187	149	125	107	93	83
	2.0	1.63	1.44	346	288	247	216	173	144	123	108	96
	3.0	2.00	1.77	424	354	303	265	212	177	152	133	118
	4.0	2.31	2.04	490	408	350	306	245	204	175	153	136
<b>FD 06</b> (25 M)	1.5	1.70	1.50	361	301	258	225	180	150	129	113	100
	2.0	1.96	1.73	416	346	297	260	208	173	148	130	115
	3.0	2.40	2.12	509	424	364	318	255	212	182	159	141
	4.0	2.77	2.45	588	490	420	367	294	245	210	184	163
<b>FD 08</b> (25 M)	1.5	2.26	2.00	479	400	342	300	240	200	171	150	133
	2.0	2.61	2.31	554	461	395	346	277	231	198	173	154
	3.0	3.20	2.83	679	566	485	424	339	283	242	212	189
	4.0	3.70	3.27	785	654	561	491	392	327	280	245	218
<b>FD 10</b> (25 M)	1.5	2.83	2.50	600	500	429	375	300	250	214	188	167
	2.0	3.27	2.89	694	578	495	434	347	289	248	217	193
	3.0	4.00	3.54	849	707	606	530	424	354	303	265	236
	4.0	4.62	4.08	980	817	700	613	490	408	350	306	272
<b>FD 15</b> (25 M)	1.5	4.24	3.75	899	750	642	562	450	375	321	281	250
	2.0	4.90	4.33	1039	866	742	650	520	433	371	325	289
	3.0	6.00	5.30	1273	1061	909	795	636	530	455	398	354
	4.0	6.93	6.13	1470	1225	1050	919	735	613	525	459	408
<b>FD 20</b> (25 M)	1.5	5.66	5.00	1201	1001	858	750	600	500	429	375	334
	2.0	6.53	5.77	1385	1154	989	866	693	577	495	433	385
	3.0	8.00	7.07	1697	1414	1212	1061	849	707	606	530	471
	4.0	9.24	8.17	1960	1633	1400	1225	980	817	700	613	544

- Spray pressure at the nozzle tip (gauged with a diaphragm valve)
- The stated liter-per-hectare rates apply to UAN (28/1.28 kg/l)
- Nozzle spacing 0.5 m
- Prior to each spraying season, verify the table data by gauging the flow rates
- Make sure that all nozzles have the same settings

### Online nozzle calculator



Apple



Android

More detailed information is available in Lechler brochure for application of liquid fertilizer as well as [www.lechler-agri.com](http://www.lechler-agri.com)



### Example of ordering

Type + int'l nozzle size + material = ordering no.  
 FD 06 (POM) = FD 06

### Intermediate and extension adaptor



Intermediate adaptor\* Sys. Lechler TWISTLOC (092.163.56.00.22.1)  
 Extension: 22 mm

\*incl. gasket



Intermediate adaptor\* Sys. Rau (092.163.56.00.21.0)  
 Extension: 20 mm



Intermediate adaptor\* Sys. Hardi (092.163.56.00.20.1)  
 Extension: 17 mm



Extension adaptor\* System Multijet (092.163.56.00.23.1)  
 Extension: 32 mm